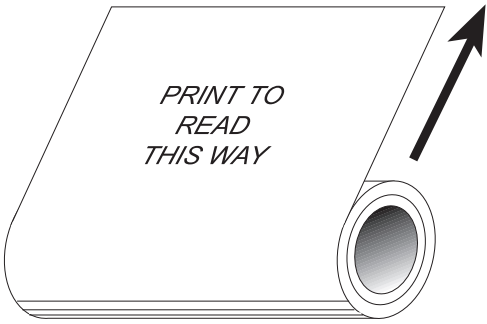


1

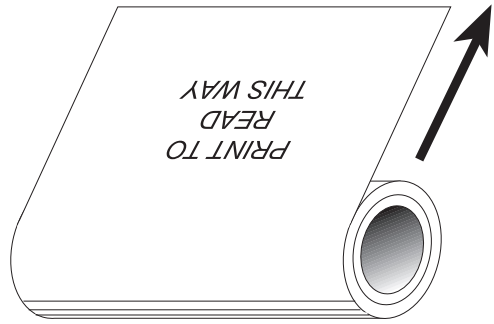
*PRINT TO  
READ  
THIS WAY*



Outside Wound Top Leading

2

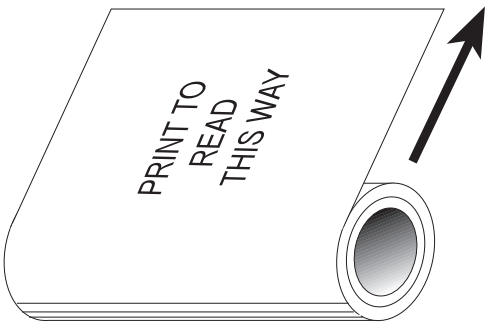
*PRINT TO  
READ  
THIS WAY*



Outside Wound Bottom Leading

3

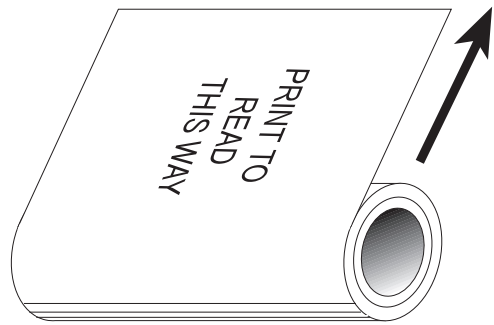
*PRINT TO  
READ  
THIS WAY*



Outside Wound Right Edge Leading

4

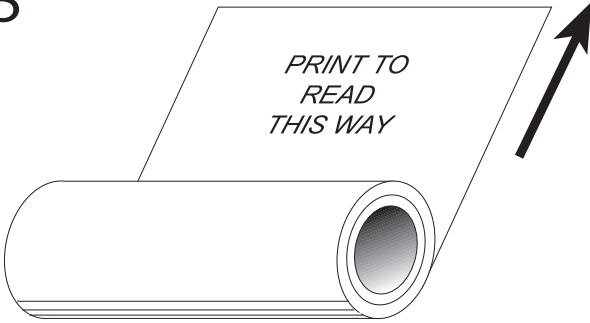
*PRINT TO  
READ  
THIS WAY*



Outside Wound Left Edge Leading

5

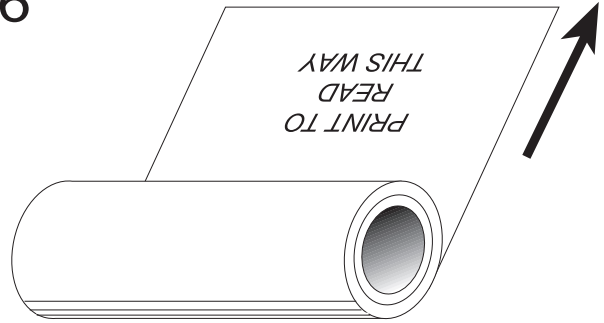
*PRINT TO  
READ  
THIS WAY*



Inside Wound Top Leading

6

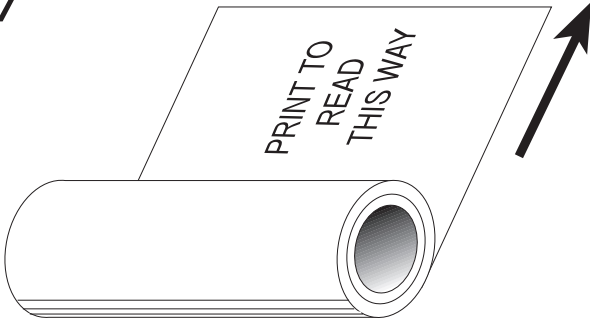
*PRINT TO  
READ  
THIS WAY*



Inside Wound Bottom Leading

7

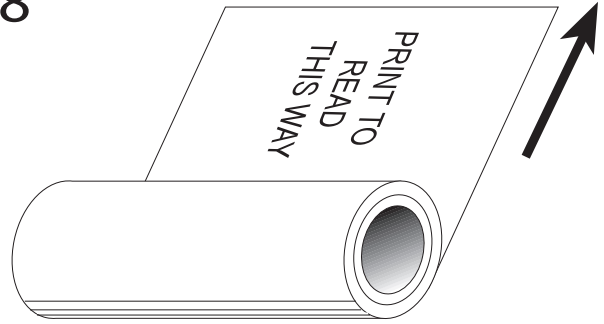
*PRINT TO  
READ  
THIS WAY*



Inside Wound Right Edge Leading

8

*PRINT TO  
READ  
THIS WAY*



Inside Wound Left Edge Leading